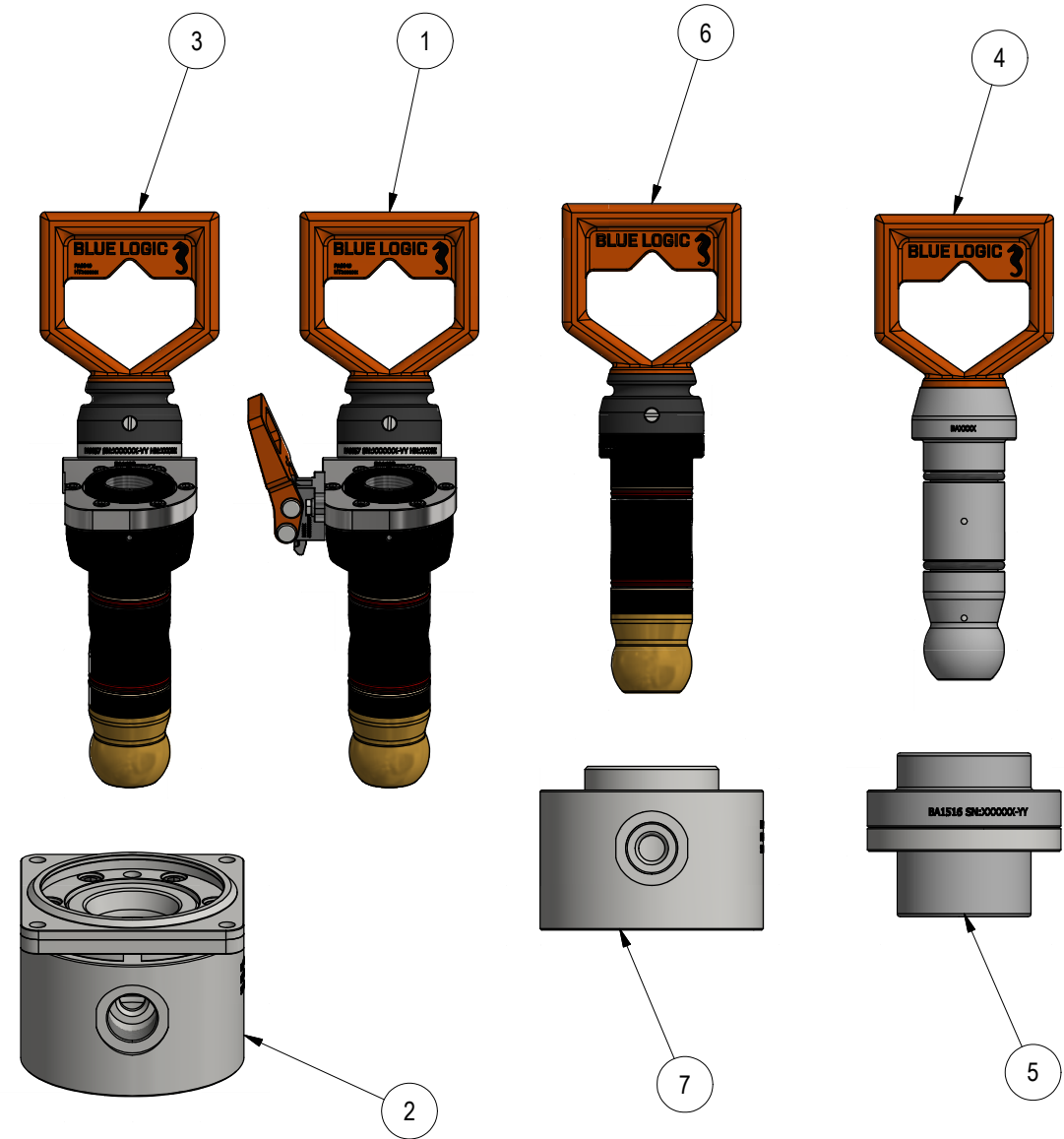
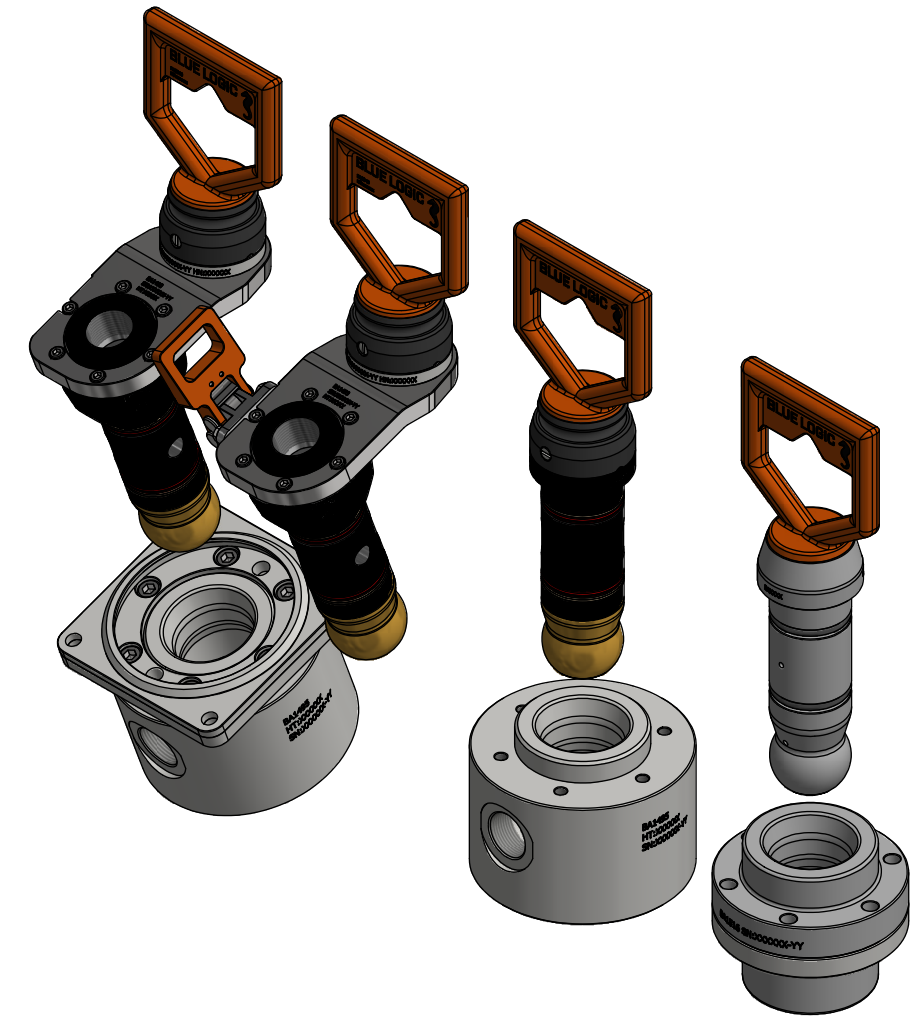


Parts List				
ITEM	QTY	PART No.	DESCRIPTION	
1	1	BA3236	Ø55 SP Stab 15K Interv WL MP 1"	
2	1	BA3235	Ø55 SP Rec 15K Long-term WL MP 1"	
3	1	BA2805	Ø55 SP Stab 15K Interv MP 1"	
4	1	BA1560	Ø55 SP Prot Stab Vented Long-term	
5	1	BA1520	Ø55 SP Park Rec Vented Long-term	
6	1	BA1512	Ø55 SP Press Stab 15K Interv	
7	1	BA1495	Ø55 SP Rec 15k Long-term MP 1"	



NOTE: 1  
 ADDITIONAL INFORMATION:  
 This overview drawing shows the basic versions of Ø55 Hot Stabs and Receptacles. Other versions are available. Pressure rating up to 1035Bar and maximum flow capacity approx. 400l/min. Pressure Stabs and Protection/Parking Stabs and Receptacles are also available.



FOR INFORMATION ONLY

Rev.	Date	Reason for issue	Revision change	Made	Chk'd	Appr.
01	9.2.2024	3-IFI (Issued for Information)		WTJ		



Dwg Scale:	NTS
Dwg Proj:	
Dwg Format:	A3

Drawing title:	Ø55 Hot Stab System Overview	
Drawing number:	BC0801	Rev. 01