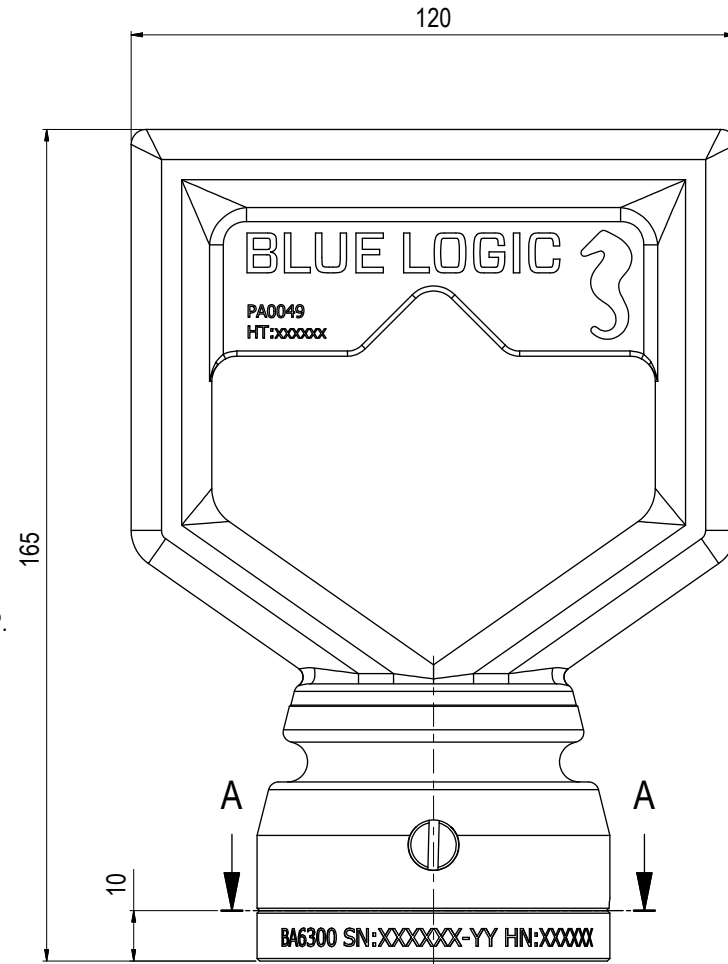
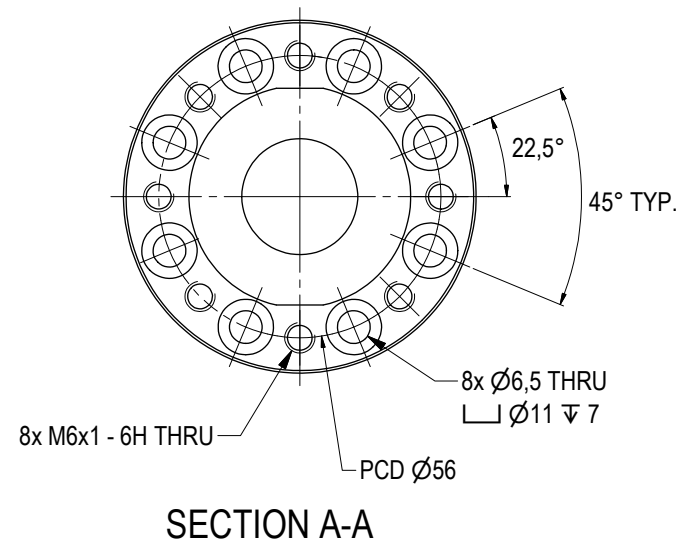
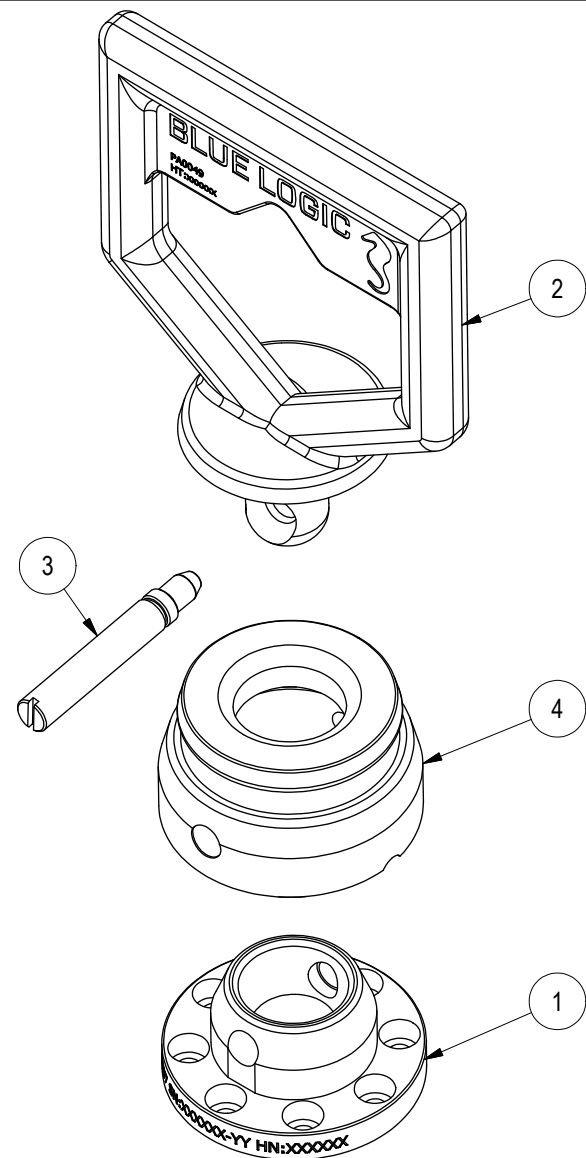
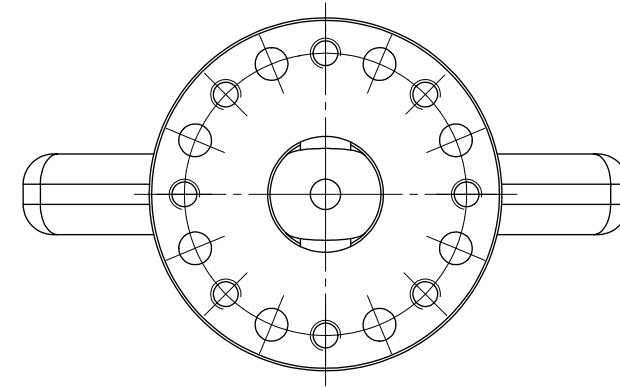
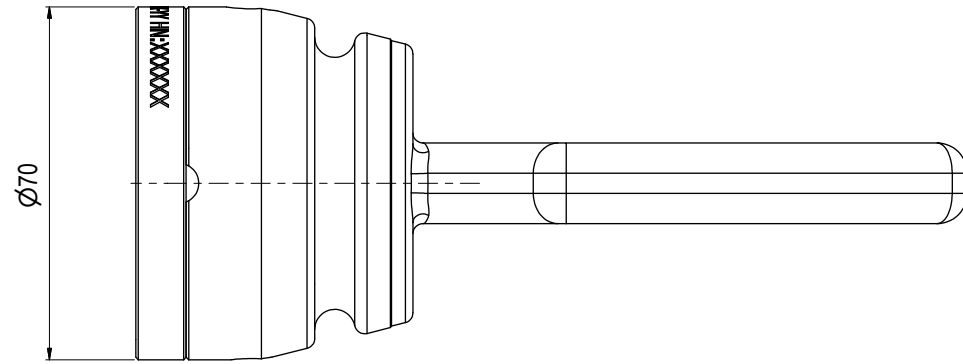


Parts List				
ITEM	QTY	PART No.	DESCRIPTION	WEBLINK
1	1	BA6300	Flex-Joint Base SD With PDC Ø56mm	<a href="http://e-sea.bluelogic.no/main.aspx?page=article&amp;artno=BA6300">http://e-sea.bluelogic.no/main.aspx?page=article&amp;artno=BA6300</a>
2	1	PA0049	D-Handle	<a href="http://e-sea.bluelogic.no/main.aspx?page=article&amp;artno=PA0049">http://e-sea.bluelogic.no/main.aspx?page=article&amp;artno=PA0049</a>
3	1	BA1581	Lock Bolt For Flex Handle	<a href="http://e-sea.bluelogic.no/main.aspx?page=article&amp;artno=BA1581">http://e-sea.bluelogic.no/main.aspx?page=article&amp;artno=BA1581</a>
4	1	PA0050	Flex Element	<a href="http://e-sea.bluelogic.no/main.aspx?page=article&amp;artno=PA0050">http://e-sea.bluelogic.no/main.aspx?page=article&amp;artno=PA0050</a>



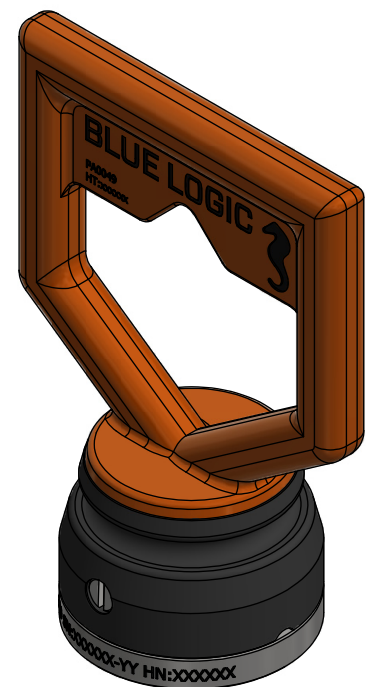
NOTE: 1  
DESIGN CODE:  
N/A

NOTE: 2  
TECHNICAL CLASSIFICATION:  
Article Type: 002-ROV Handles  
Main Group: 2.01. Stab-Handle  
Intermediate Group: 2.7.02. D-Handle  
Sub Group: 2.7.47.02. Long-term

NOTE: 3  
INTERFACE INFORMATION:  
Pressure Rating Bar: N/A  
Material: Long-term  
Weight: 1,4 kg  
Volume: 0,25 dm<sup>3</sup>  
Surface Area: 690 cm<sup>2</sup>  
Hydraulic: N/A  
Mechanical: N/A  
Electrical: N/A  
Com. & Protocol: N/A

NOTE: 4  
INTERNAL FAB/ASSY INFO:  
When assembled, there is tension between the D-Handle and the Flex Joint Base. The D-Handle need to be pre-loaded against the Flex Joint base to ease lock bolt installation. By use of a vice or hydraulic press, press the D-Handle towards the Flex Joint base, to ease Lock Bolt mounting. Lubricate the Lock Bolt with soap or oil to decrease the friction between the Lock Bolt and rubber Flex Joint.

Max Torque: 300Nm  
Max Axial Pull Force: 12000N  
Max Horizontal Force on Outer Edge: 5000N



For assembly info see NOTE 4

Rev.	Date	Reason for issue	Revision change	Made	Chk'd	Appr.
01	5.2.2015	9-IFU (Issued for Use)		TBA	HNJ	TBA



Dwg Scale:	NTS
Dwg Proj:	
Dwg Format:	A3

Drawing title:	Assy D-Handle SD
Drawing number:	BA6299
Rev:	01