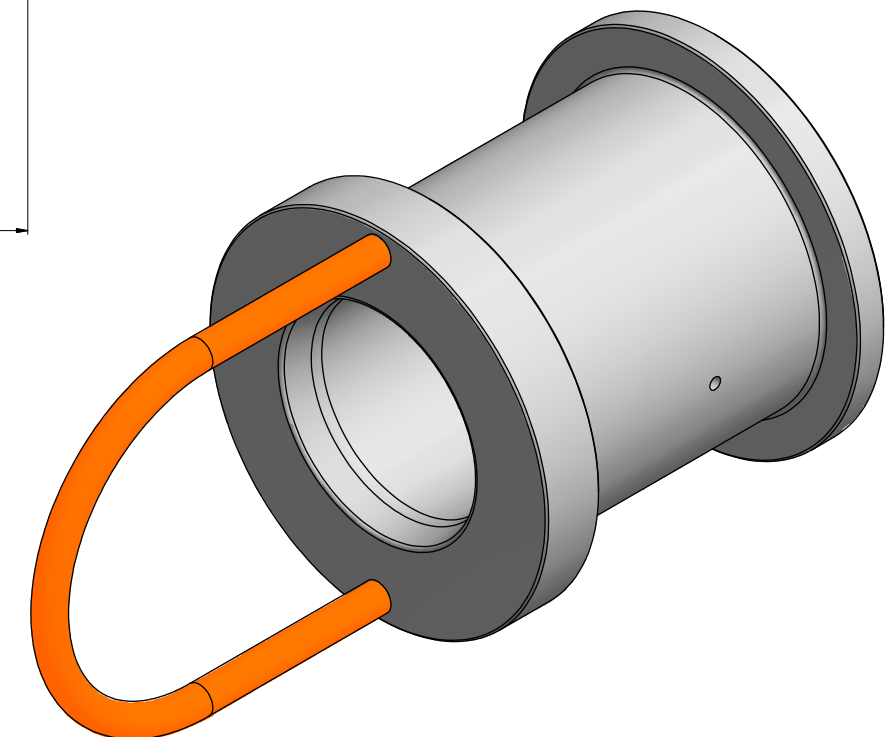
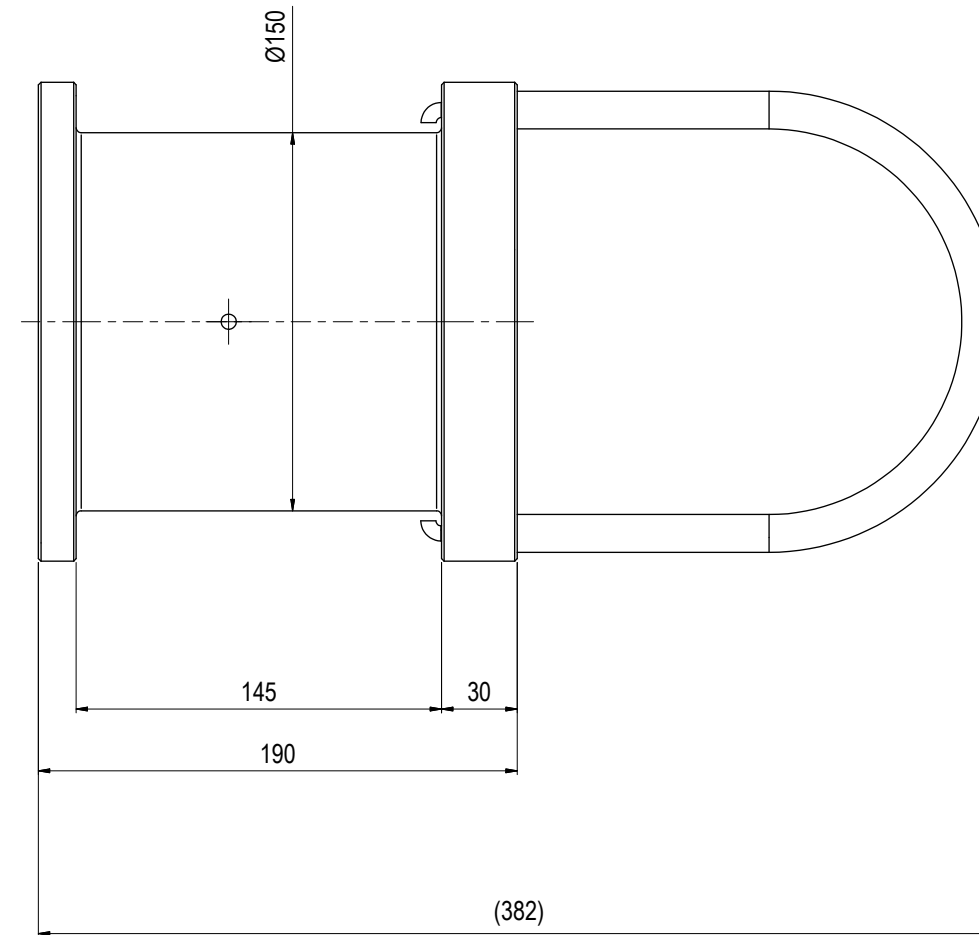
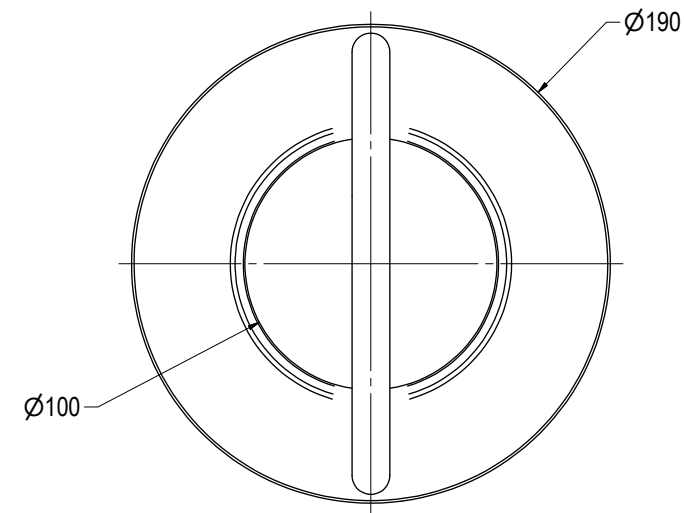


NOTE: 1
STANDARDS:
N/A

NOTE: 2
INTERFACE INFORMATION:
Hydraulic: N/A
Mechanical: N/A
Electrical: N/A
Data Com.: N/A

NOTE: 4
PROPERTIES:
Material Class: N/A
Temperature Class: N/A
Rated Work Press Bar: Vented
Test Pressure: N/A
Specification Level: N/A
Flow Rate: N/A
Qualification: N/A
Application: N/A
Load Rating: N/A
Torque Rating: N/A
Design Water Depth: N/A
Weight in Air: 2,3 kg
Volume: 2,36 dm³
Submerged Weight: -0,15 kg



Rev.	Date	Reason for issue	Revision change	Made	Chk'd	Appr.
02	29.6.2022	7-IFC (Issued for Construction)		HNJ	LGH	HNJ
01	28.3.2022	2-IFT (Issued for Tender)		HNJ	NA	NA



This Drawing is the Property of Blue Logic AS © and must Not be Loaned, Reproduced or Transferred to others without written Permission

Dwg Scale:
NTS
Dwg Proj:
Dwg Format:
A3

Drawing title:
Ø100 SP VStab Protection Sleeve Assy

Drawing number:
BB7992

Rev:
02