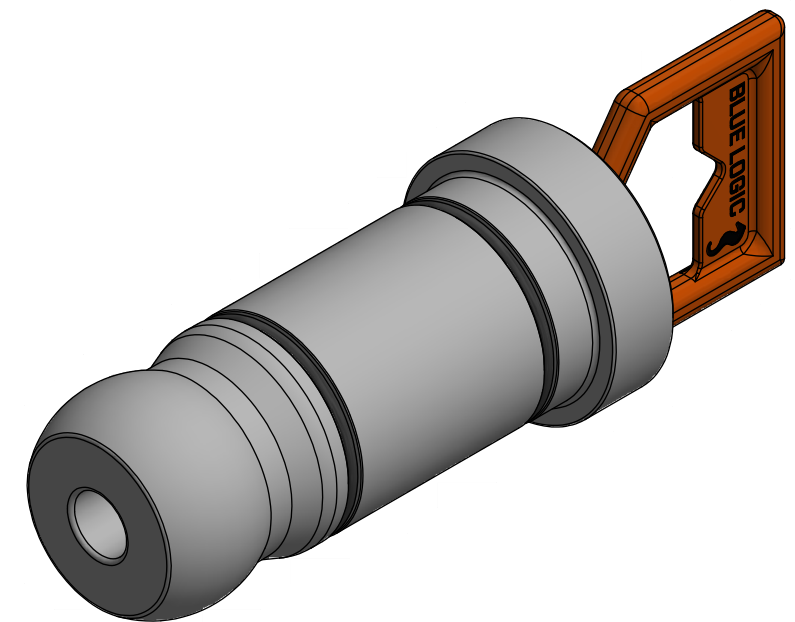


NOTE: 1
DESIGN CODE:
N/A

NOTE: 2
TECHNICAL CLASSIFICATION:
Article Type: 003-Valve Stabs
Main Group: 3.05. Ø100-Valvestab
Intermediate Group: 3.35.03. Protection
Sub Group: 3.35.168.1. Single

NOTE: 3
INTERFACE INFORMATION:
Pressure Rating Bar: Vented
Material: Long-term
Weight: 3,1 kg
Volume: 2,17 dm³
Surface Area: 1774 cm²
Hydraulic: N/A
Mechanical: N/A
Electrical: N/A
Com. & Protocol: N/A



Rev.	Date	Reason for issue	Revision change	Made	Chk'd	Appr.
02	2.5.2024	9-IFU (Issued for Use)				
01	4.2.2022	2-IFT (Issued for Tender)				

BLUE LOGIC

Dwg Scale:
NTS
Dwg Proj:
Dwg Format:
A3

Drawing title:
Ø100 SP Prot VStab Vented Long-term

Drawing number:
BB7668

Rev:
02