

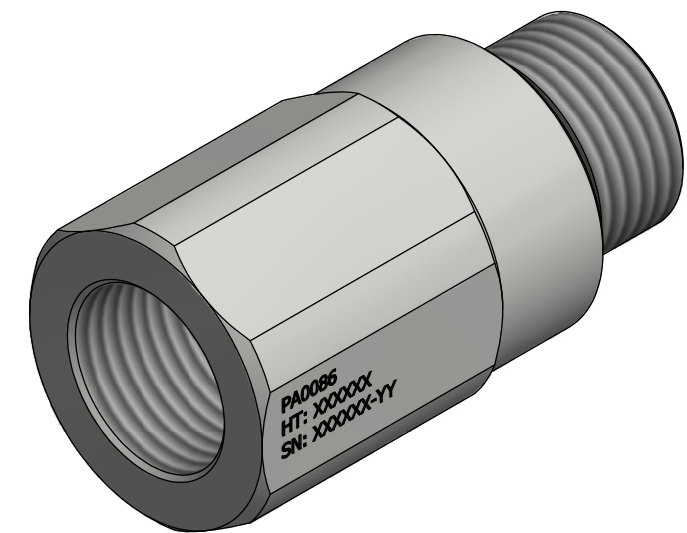
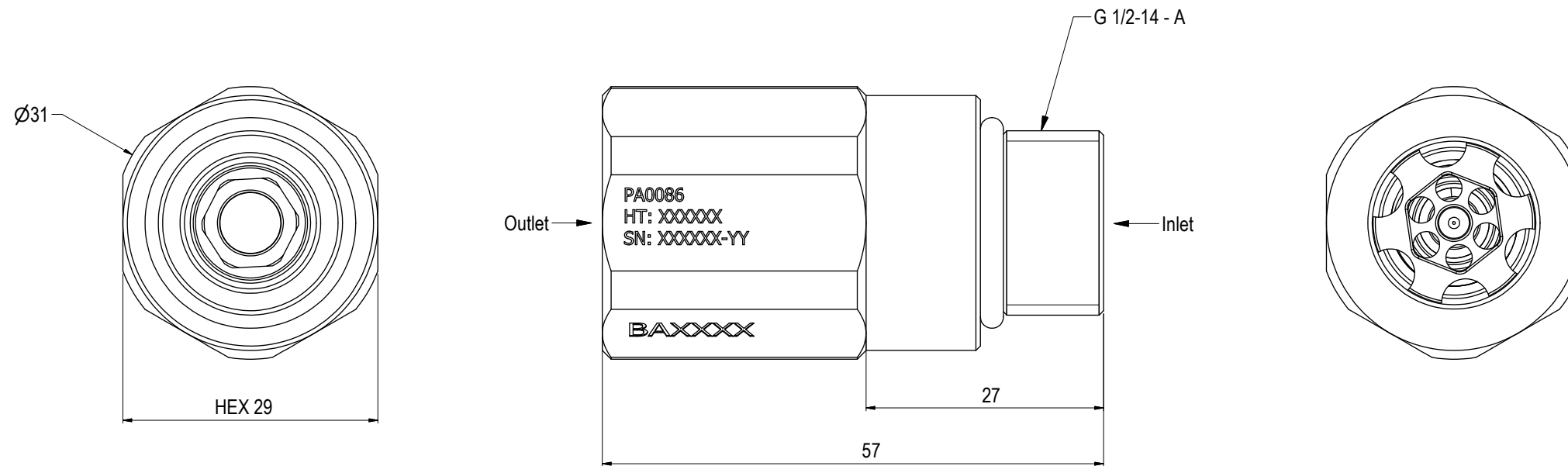
NOTE: 1  
 DESIGN CODE:  
 N/A

NOTE: 2  
 TECHNICAL CLASSIFICATION:  
 Article Type: 001-Hot Stabs  
 Main Group: 1.09. Valves Hot Stab  
 Intermediate Group: 1.6.02. 5-8mm  
 Sub Group: 1.6.22.02. 2-way

NOTE: 3  
 INTERFACE INFORMATION:  
 Pressure Rating Bar: 690  
 Material: Intervention  
 Weight: 0,2 kg  
 Volume: 0,03 dm<sup>3</sup>  
 Surface Area: 146 cm<sup>2</sup>  
 Hydraulic: 1/2" BSP  
 Mechanical: N/A  
 Electrical: N/A  
 Com. & Protocol: N/A

NOTE: 4  
 ADDITIONAL INFORMATION:  
 Opening Pressure Outlet Approx: 0,5 Bar  
 Opening Pressure Inlet Approx: 2,0 Bar

For Fluid



05	9.3.2021	9-IFU (Issued for Use)		HNJ	WTJ	HNJ
04	17.2.2015	9-IFU (Issued for Use)		HNJ	LGH	HNJ
03	1.12.2014	9-IFU (Issued for Use)		WTJ	HNJ	WTJ
02	28.8.2014	9-IFU (Issued for Use)		WTJ	HNJ	WTJ
Rev.	Date	Reason for issue	Revision change	Made	Chk'd	Appr.



Dwg Scale:	NTS
Dwg Proj:	
Dwg Format:	A3

Drawing title:	2-Way Check Valve 10k Interv BSP 1/2" - 0,5-2,0 Bar FM-M	
Drawing number:	BA1438	Rev. 05