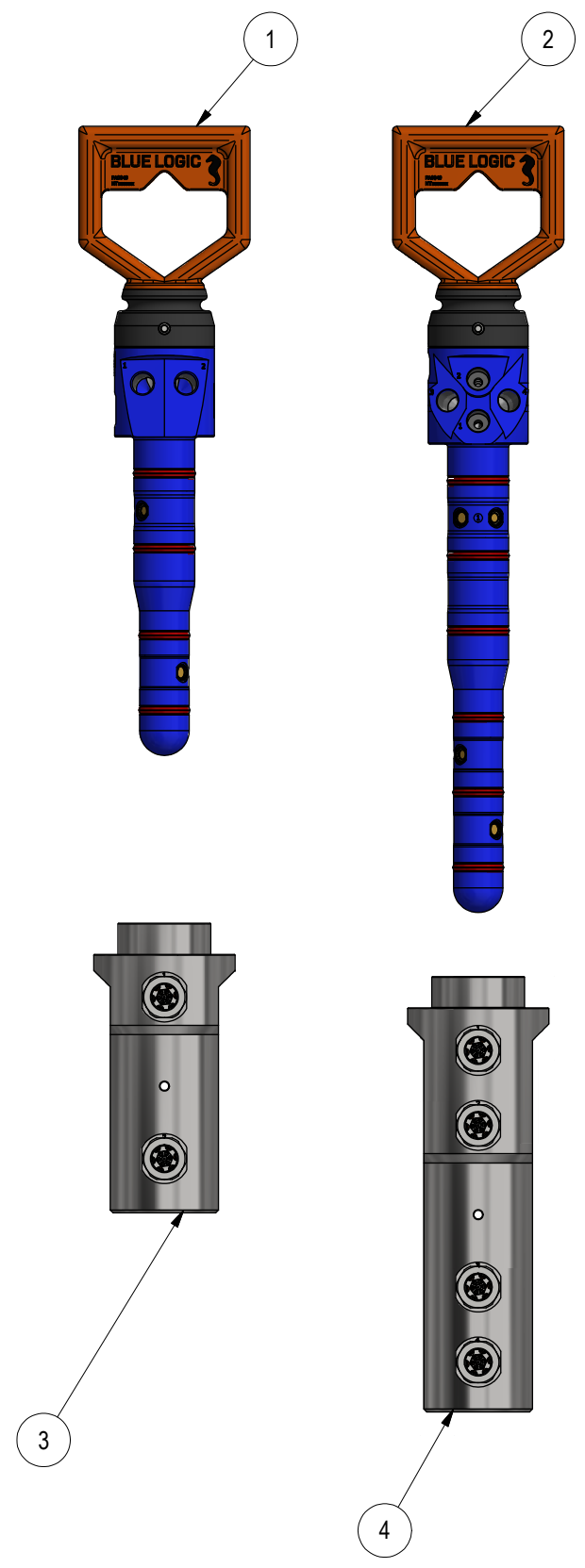
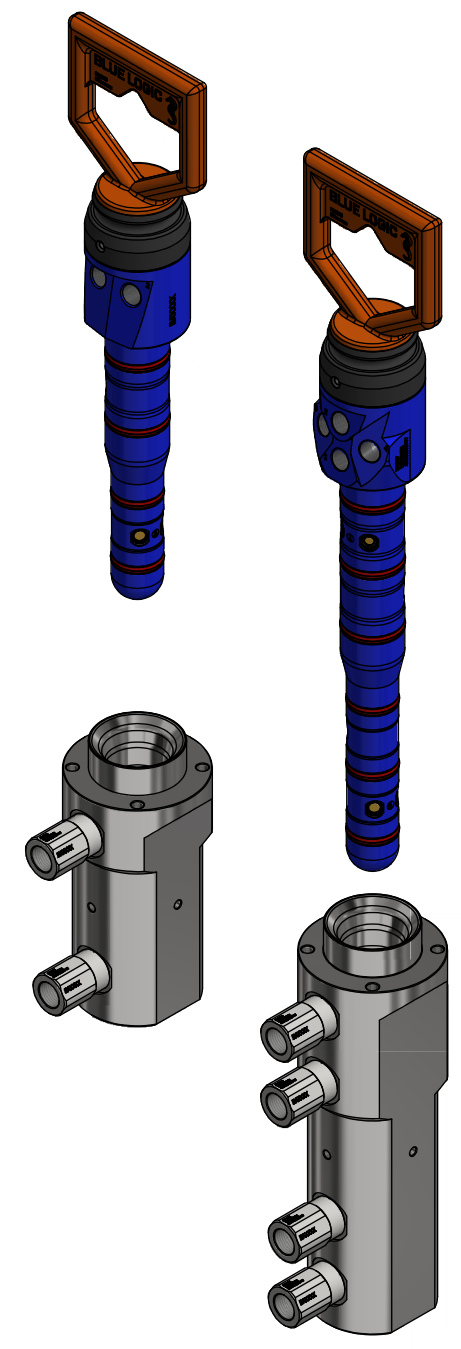


Parts List				
ITEM	QTY	PART No.	DESCRIPTION	
1	1	BA1282	Ø35/Ø43 DP Stab 10k Interv wCV BSP 3/8"	
2	1	BA1865	Ø35/Ø43 QP Stab 10k Interv wCV BSP 3/8"	
3	1	BA4004	Ø35/Ø43 DP Rec 10k Interv wCV BSP 1/2"	
4	1	BA4006	Ø35/Ø43 QP Rec 10k Interv wCV BSP 1/2"	



NOTE: 1
 ADDITIONAL INFORMATION:
 This overview drawing shows the basic versions of Ø35/Ø43 Hot Stabs and Receptacles. Other versions are available. Pressure rating 690bar and maximum flow capacity approx. 30 l/min. Pressure Stabs and Protection/Parking Stabs and Receptacles are also available.



FOR INFORMATION ONLY

Rev.	Date	Reason for issue	Revision change	Made	Chk'd	Appr.
01	8.2.2024	3-IFI (Issued for Information)		HNJ		

BLUE LOGIC 

This Drawing is the Property of Blue Logic AS © and must Not be Loaned, Reproduced or Transferred to others without written Permission

Dwg Scale: NTS	Dwg Proj:	Dwg Format: A3	Drawing title: API 17H Type 2 Ø35/Ø43 Hot Stab System Overview
			Drawing number: BC0791
			Rev. 01