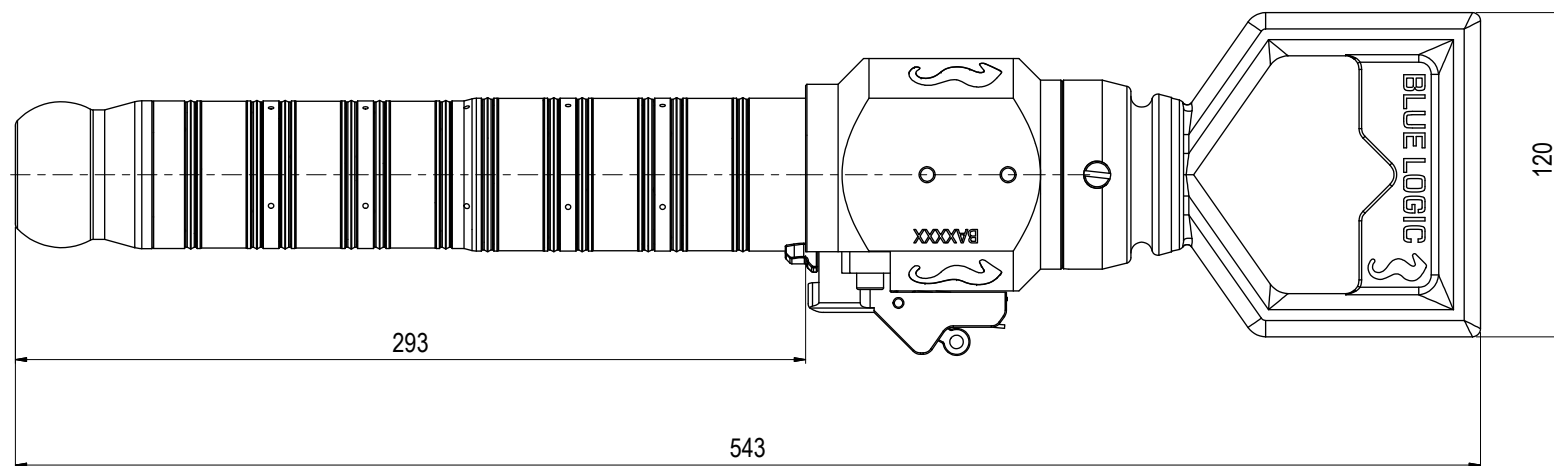
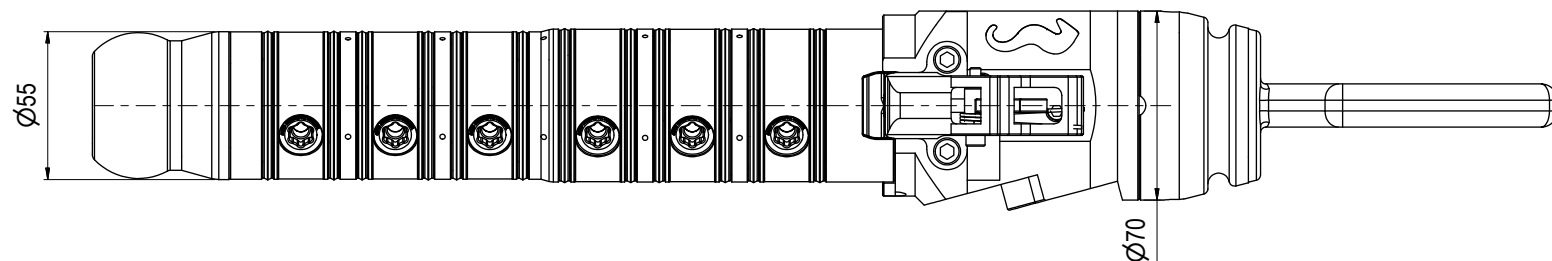
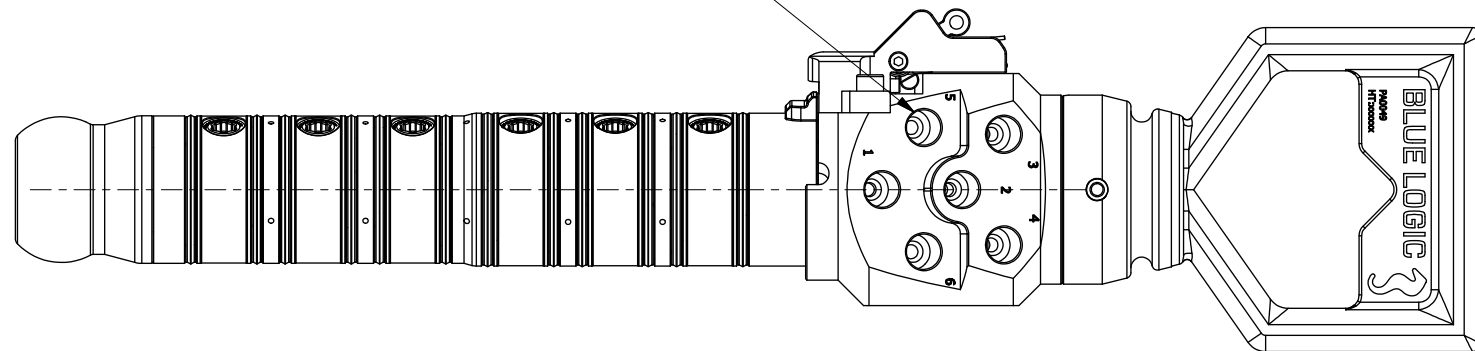


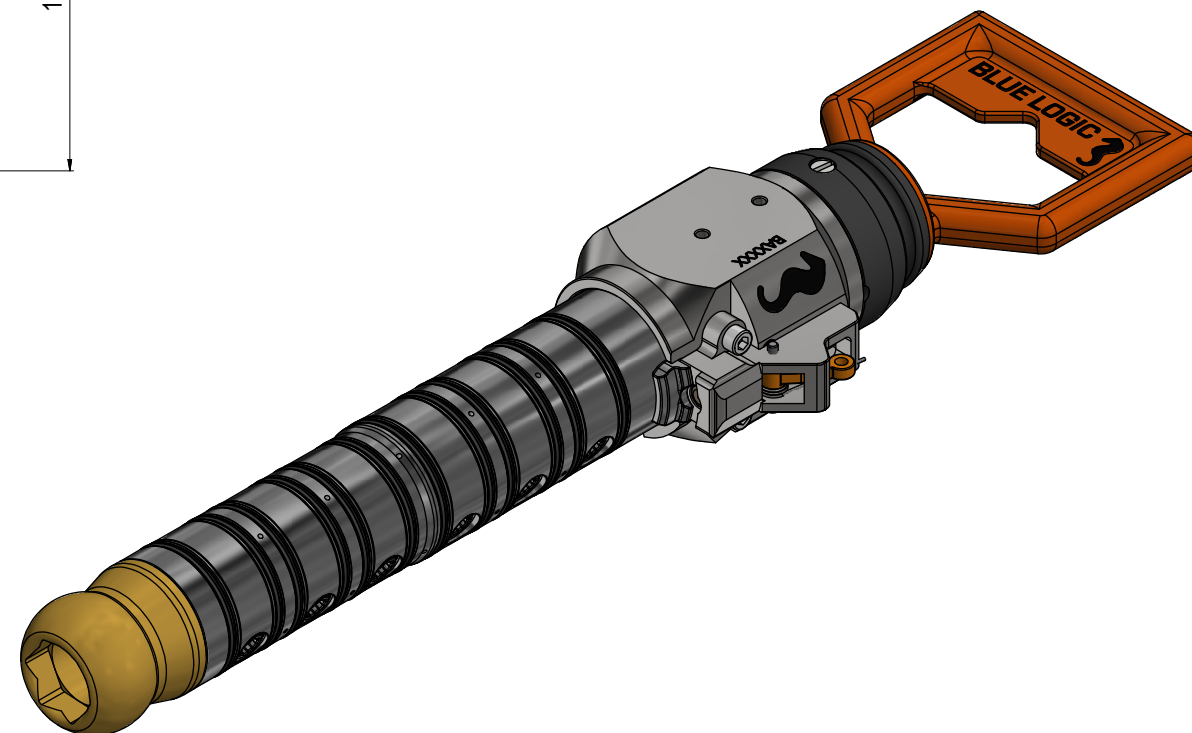
6x 3/8" MP Ports



NOTE: 1
DESIGN CODE:
API 6A

NOTE: 2
TECHNICAL CLASSIFICATION:
Article Type: 003-Valve Stabs
Main Group: 3.07. Ø55/Ø57-Valvestab
Intermediate Group: 3.42.01. Stab
Sub Group: 3.42.102.6. Hexa

NOTE: 3
INTERFACE INFORMATION:
Pressure Rating Bar: 690
Design Water Depth:
Material: Long-term
Weight: 9,2 kg
Volume: 1,26 dm³
Submerged Weight: 7,95 kg
Surface Area: 3491 cm²
Hydraulic: 3/8" MP
Mechanical: D-Handle
Electrical: N/A
Com. & Protocol: N/A



Rev.	Date	Reason for issue	Revision change	Made	Chk'd	Appr.
03	12.10.2022	7-IFC (Issued for Construction)		WTJ	TAN	LGH
02	3.6.2022	7-IFC (Issued for Construction)		WTJ	LGH	WTJ
01	12.8.2021	7-IFC (Issued for Construction)		HNJ	LGH	HNJ



Dwg Scale:	NTS
Dwg Proj:	
Dwg Format:	A3

Drawing title:	Ø55/Ø57 HP VStab 10K Long-term MP 3/8" Double Seal	
Drawing number:	BB2034	Rev: 03