

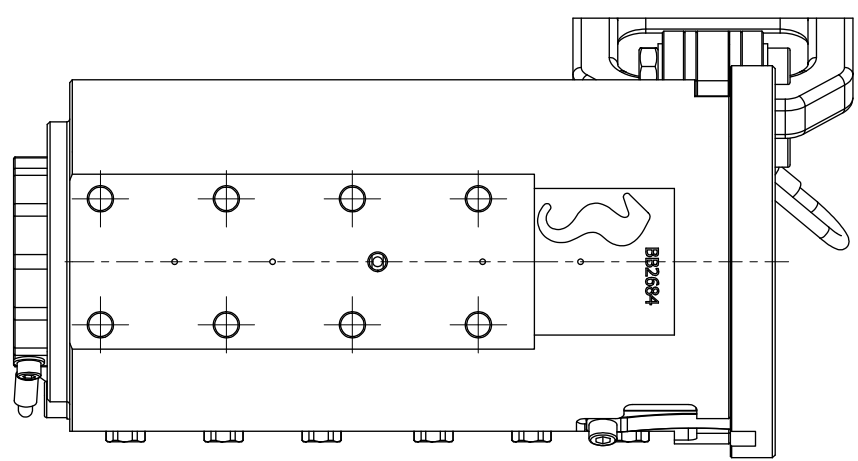
NOTE: 1
DESIGN CODE:
N/A

NOTE: 2
TECHNICAL CLASSIFICATION:
Article Type: 003-Valve Stabs
Main Group: 3.07. Ø55/Ø57-Valvestab
Intermediate Group: 3.42.02. Receptacle
Sub Group: 3.42.103.6. Hexa

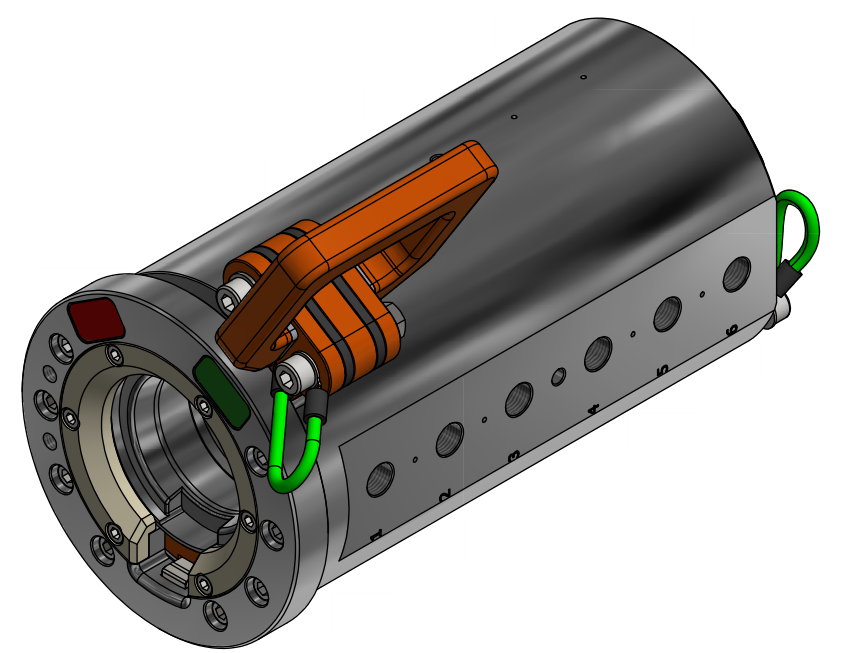
NOTE: 3
INTERFACE INFORMATION:
Pressure Rating Bar: 690
Design Water Depth:
Material: Long-term
Weight: 20,6 kg
Volume: 2,69 dm³
Submerged Weight: 17,82 kg
Surface Area: 5558 cm²
Hydraulic: 3/8" MP
Mechanical: 8xM10 (45x45x45)
Electrical: N/A
Com. & Protocol: N/A

NOTE: 4
SPAREPARTS:

NOTE: 5
ADDITIONAL INFORMATION:
Valve Stab Receptacle with 6 individual hydraulic lines for Long-term submersion, when connected to external CP system.
When stab is inserted and valves opened (red position) a weak link system ensures that the stab can be pulled out in an emergency situation, emergency release force approx. 3kN.
ROV Handle in green position: All valves closed, stab free to mate or remove.
ROV Handle in red position: All valves open, stab locked into receptacle.
For more information - request usermanual 600142-TD-0001.



VIEW A-A
(MOUNTING INTERFACE)



05	29.5.2024	9-IFU (Issued for Use)		WTJ	HNJ	WTJ
04	30.11.2023	9-IFU (Issued for Use)		WTJ	LGH	WTJ
03	21.4.2021	9-IFU (Issued for Use)		WTJ	HNJ	WTJ
02	12.12.2018	9-IFU (Issued for Use)		WTJ	LAE	WTJ
Rev.	Date	Reason for issue	Revision change	Made	Chk'd	Appr.



Dwg Scale:	NTS
Dwg Proj:	
Dwg Format:	A3

Drawing title:	Ø55/Ø57 HP VStab Rec 10k Long-term MP 3/8" Double Seal	
Drawing number:	BB2035	Rev. 05