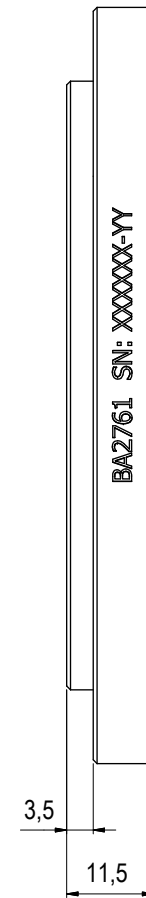
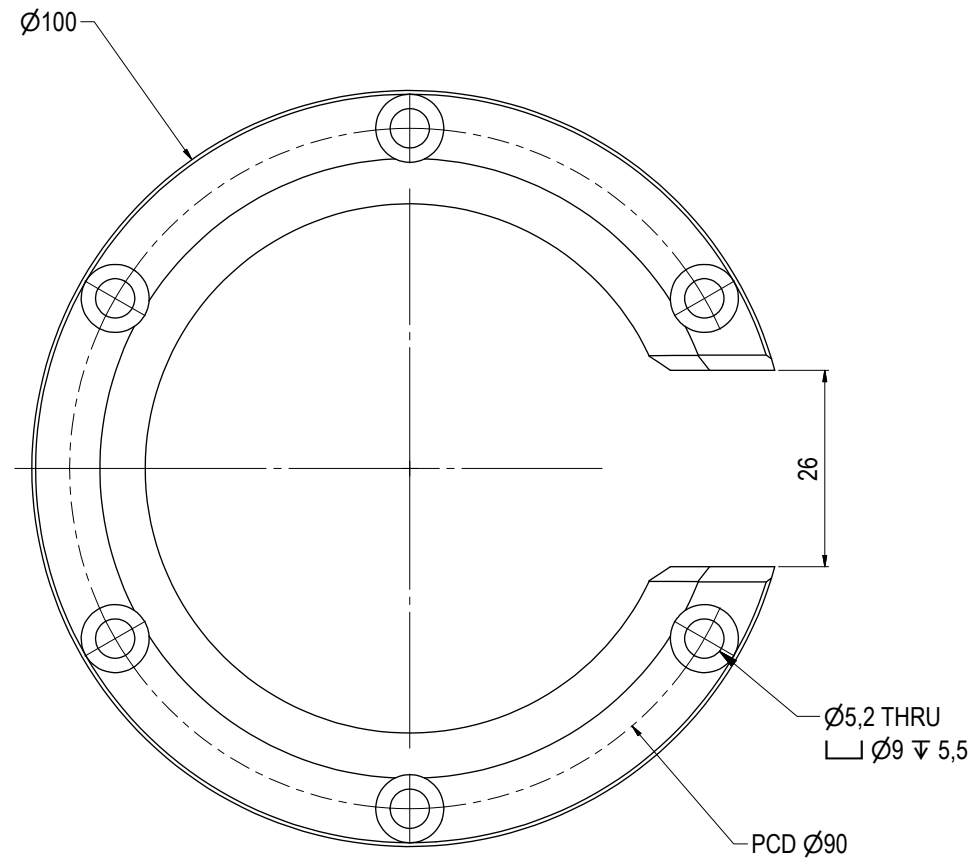


NOTE: 1
DESIGN CODE:

NOTE: 2
TECHNICAL CLASSIFICATION:
Article Type: 003-Valve Stabs
Main Group: 3.00. Misc-Valvestab
Intermediate Group: 3.40.9. Spares
Sub Group: 3.40.94.2. Receptacle

NOTE: 3
INTERFACE INFORMATION:
Pressure Rating Bar: N/A
Material: PEEK
Weight: 0 kg
Volume: 0,03 dm³
Surface Area: 127 cm²
Hydraulic: N/A
Mechanical: N/A
Electrical: N/A
Com. & Protocol: N/A



Rev.	Date	Reason for issue	Revision change	Made	Chk'd	Appr.
02	7.1.2014	7-IFC (Issued for Construction)		HNJ	LAE	HNJ
01	4.9.2012	7-IFC (Issued for Construction)		LGH	LAE	HNJ

BLUE LOGIC

Dwg Scale:
NTS
Dwg Proj:
Dwg Format:
A3

Drawing title:
Weak link Ring Ø55

Drawing number:
BA2761

Rev:
02