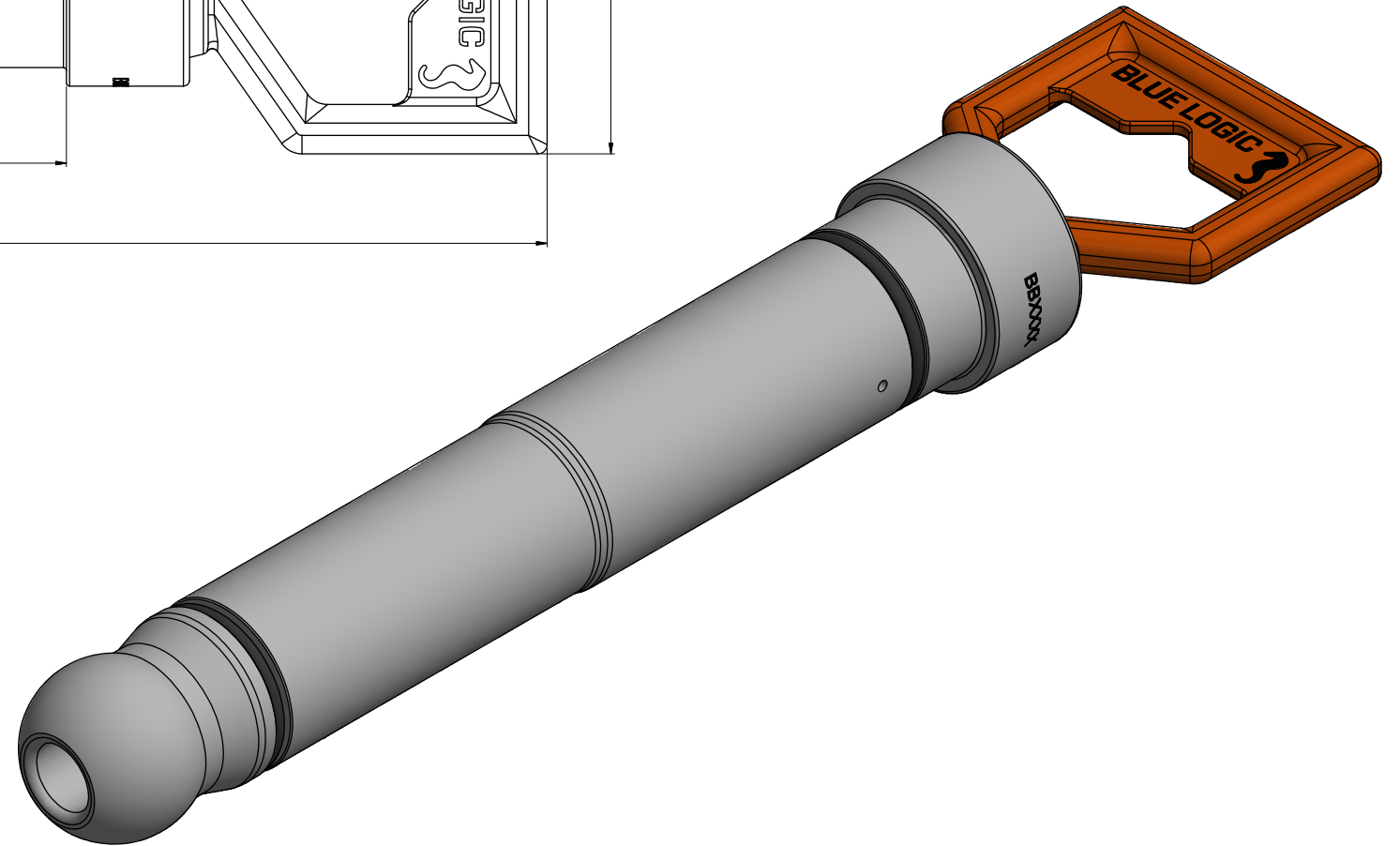
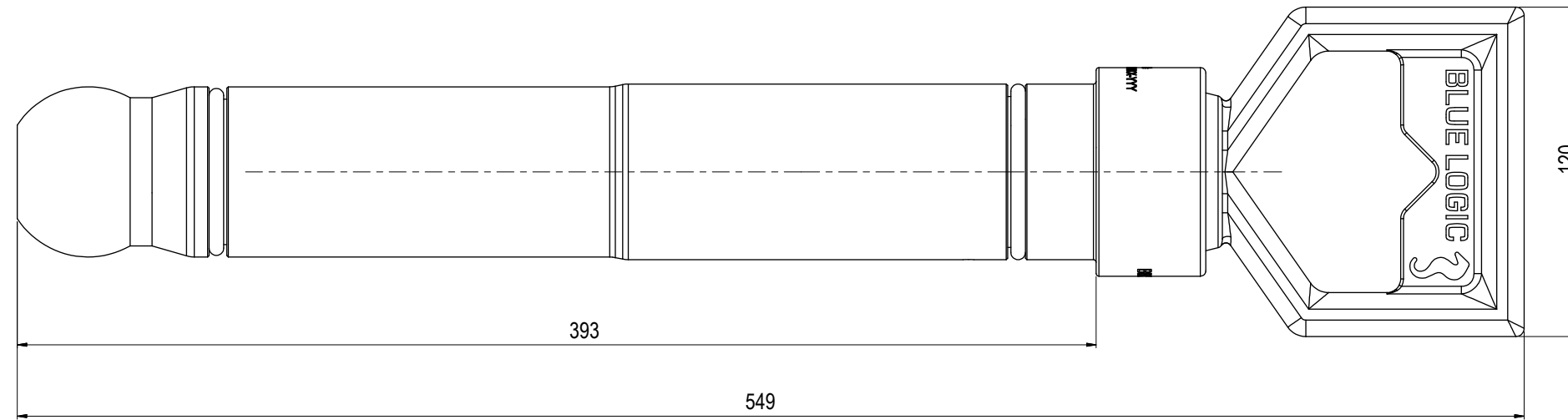
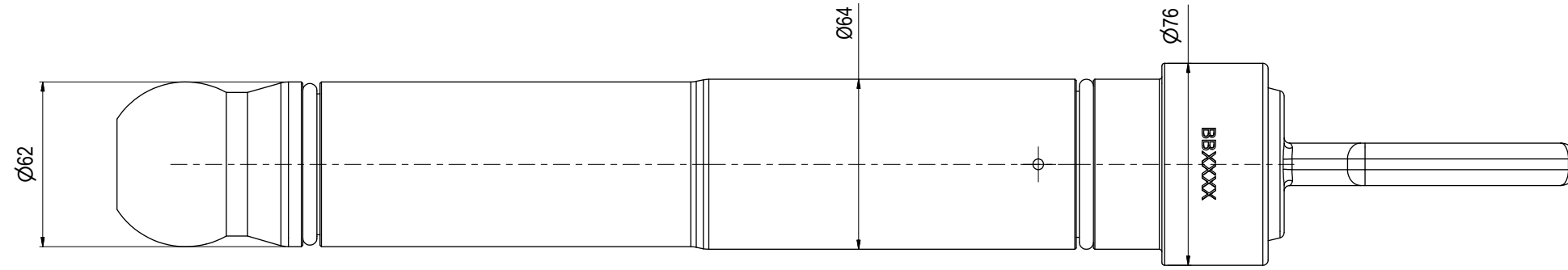


NOTE: 1
 DESIGN CODE:
 N/A

NOTE: 2
 TECHNICAL CLASSIFICATION:
 Article Type: 003-Valve Stabs
 Main Group: 3.08. Ø63/Ø65-Valvestab
 Intermediate Group: 3.88.01 Stab
 Sub Group: 3.88.418.05. Hexa

NOTE: 3
 INTERFACE INFORMATION:
 Pressure Rating Bar: Vented
 Design Water Depth: N/A
 Material: Long-term
 Weight in Air: 2,5 kg
 Volume: 1,43 dm³
 Submerged Weight: 1,02 kg
 Surface Area: 1711 cm²
 Hydraulic: N/A
 Mechanical: D-Handle
 Electrical: N/A
 Com. & Protocol: N/A



Rev.	Date	Reason for issue	Revision change	Made	Chk'd	Appr.
03	19.5.2021	9-IFU (Issued for Use)		WTJ	HNJ	WTJ
02	12.5.2021	6-ICA (Issued for Client Approval)		WTJ	HNJ	WTJ
01	11.1.2021	2-IFT (Issued for Tender)		HNJ	N/A	N/A



Dwg Scale:	NTS
Dwg Proj:	
Dwg Format:	A3

Drawing title:	Ø63/Ø65 HP Prot VStab Vented Long-term for Dbl Seal	
Drawing number:	BB5536	Rev: 03