

VIEW A-A

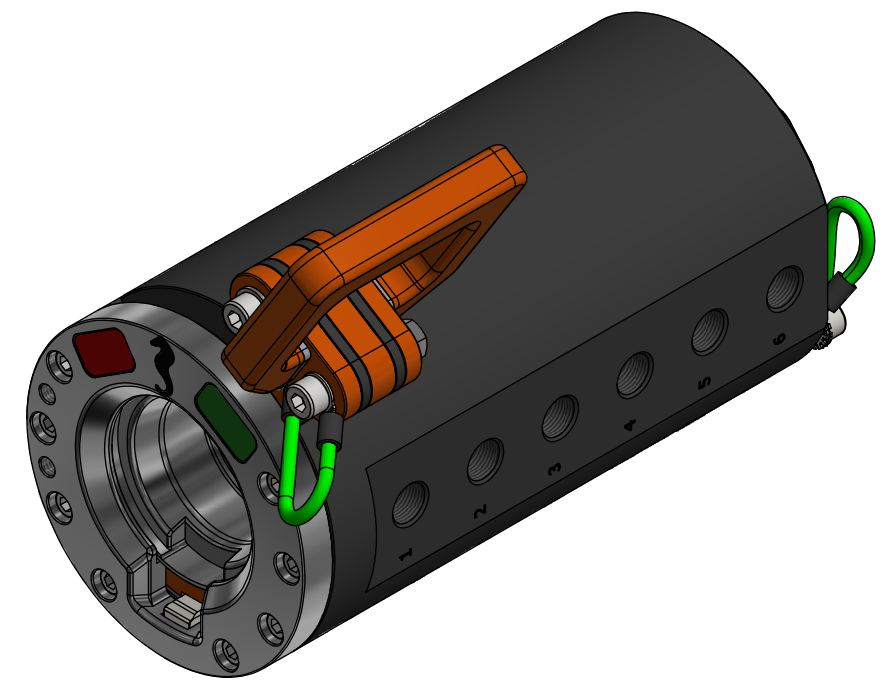
NOTE: 1  
 DESIGN CODE:  
 NS-EN 13445

NOTE: 2  
 TECHNICAL CLASSIFICATION:  
 Article Type: 003-Valve Stabs  
 Main Group: 3.03. Ø55-Valvestab  
 Intermediate Group: 3.12.02. Receptacle  
 Sub Group: 3.12.69.6. Hexa

NOTE: 3  
 INTERFACE INFORMATION:  
 Pressure Rating Bar: N/A  
 Material: Intervention  
 Weight: 11,7 kg  
 Volume: 2,64 dm<sup>3</sup>  
 Surface Area: 4601 cm<sup>2</sup>  
 Hydraulic: 3/8" BSP  
 Mechanical: N/A  
 Electrical: N/A  
 Com. & Protocol: N/A

NOTE: 4  
 SPAREPARTS:  
 BB1690

NOTE: 5  
 ADDITIONAL INFORMATION:  
 Usermanual: 600112-TD-0003



11	30.5.2024	9-IFU (Issued for Use)		WTJ	HNJ	WTJ
10	30.11.2023	9-IFU (Issued for Use)		WTJ	LGH	WTJ
09	30.1.2019	9-IFU (Issued for Use)		WTJ	LGH	WTJ
08	2.1.2019	9-IFU (Issued for Use)		WTJ	LGH	WTJ
Rev.	Date	Reason for issue	Revision change	Made	Chk'd	Appr.



Dwg Scale: NTS	Dwg Proj: [Symbol]	Dwg Format: A3	Drawing title: Ø55 HP VStab Rec Interv Man BSP 3/8" for Compensation Use
Drawing number: BA3414			Rev. 11