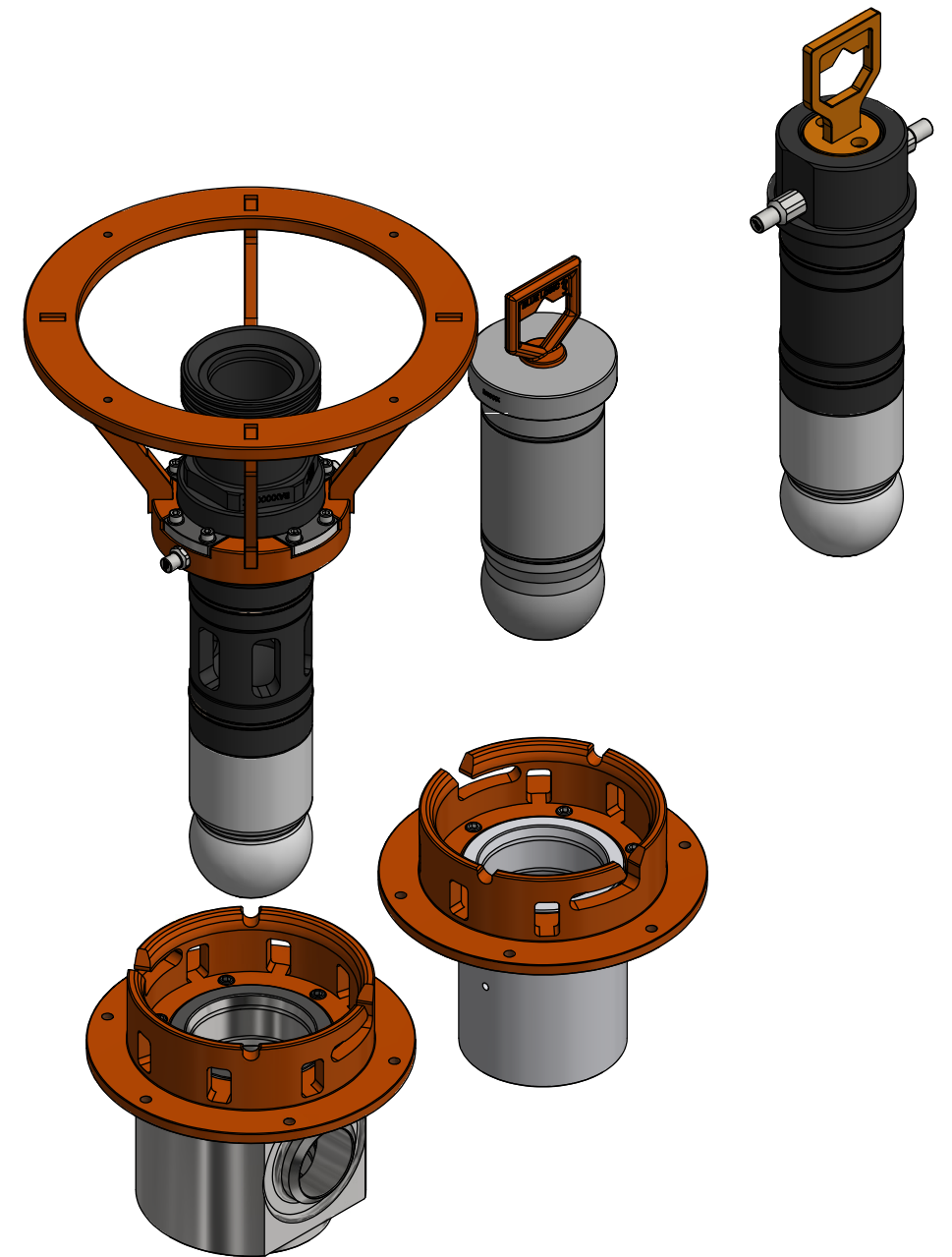
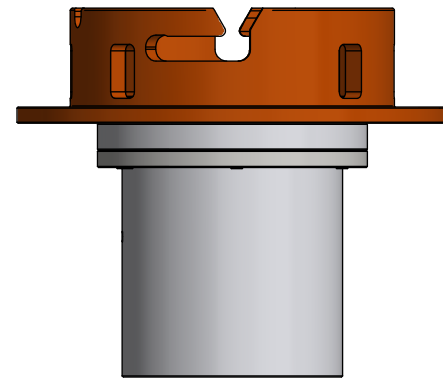
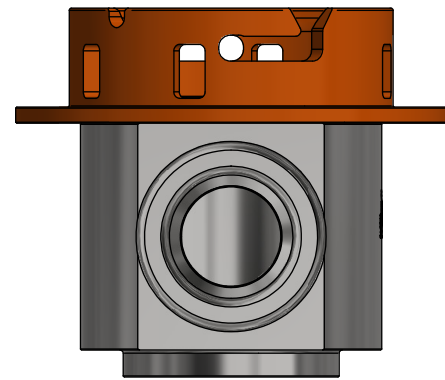
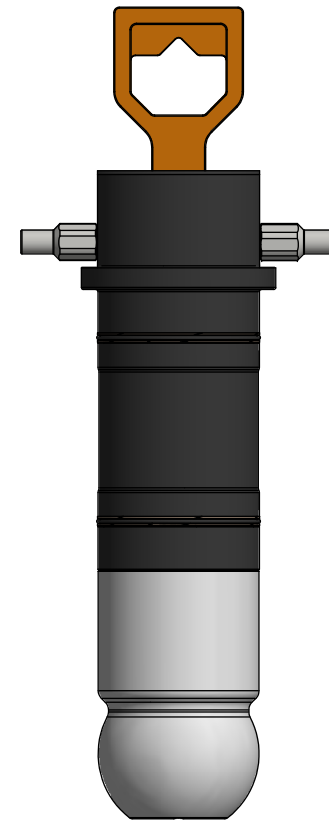
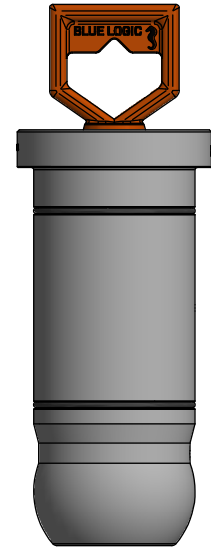
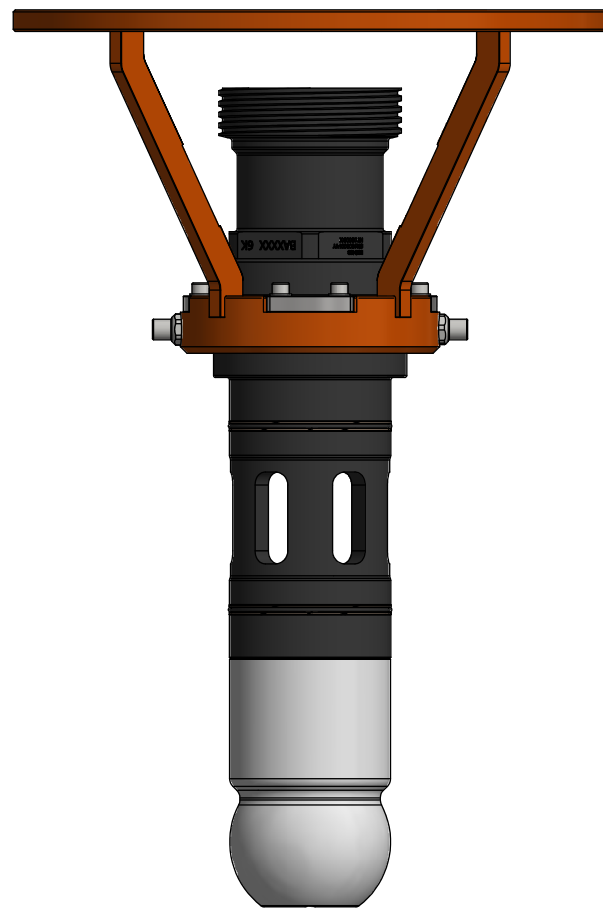


Parts List				
ITEM	QTY	PART No.	DESCRIPTION	
1	1	BB2432	Ø150 SP Stab 5k Interv 4" Fig 1502 ID 100 w-J-Lock	
2	1	BA5787	Ø150 SP Rec 5k Interv 4" Full Bore w J-Lock 4" WN Sch 120	
3	1	BA5189	Ø150 SP Park Rec Vented Long-term w-J-Lock	
4	1	BA5797	Ø150 SP Prot Stab Vented Long-term	
5	1	BA5190	Ø150 SP Press Stab 5k Long-term	



NOTE: 1
 ADDITIONAL INFORMATION:
 This overview drawing shows the basic versions of the Blue Logic API 17H Type 4 Ø150 SP Stabs and Receptacles. Pressure rating up to 345bar and maximum flow capacity approx. 6000 l/min depending on receptacle outlet. Other versions with regards to number of ports, flow capacity, seal material and hydraulic interface are available.

FOR INFORMATION ONLY

Rev.	Date	Reason for issue	Revision change	Made	Chk'd	Appr.
01	20.6.2024	3-IFI (Issued for Information)		HNJ		

BLUE LOGIC

This Drawing is the Property of Blue Logic AS © and must Not be Loaned, Reproduced or Transferred to others without written Permission

Dwg Scale:	NTS
Dwg Proj:	
Dwg Format:	A3

Drawing title:	Ø150 Hot Stab System Overview	
Drawing number:	BC1301	Rev: 01